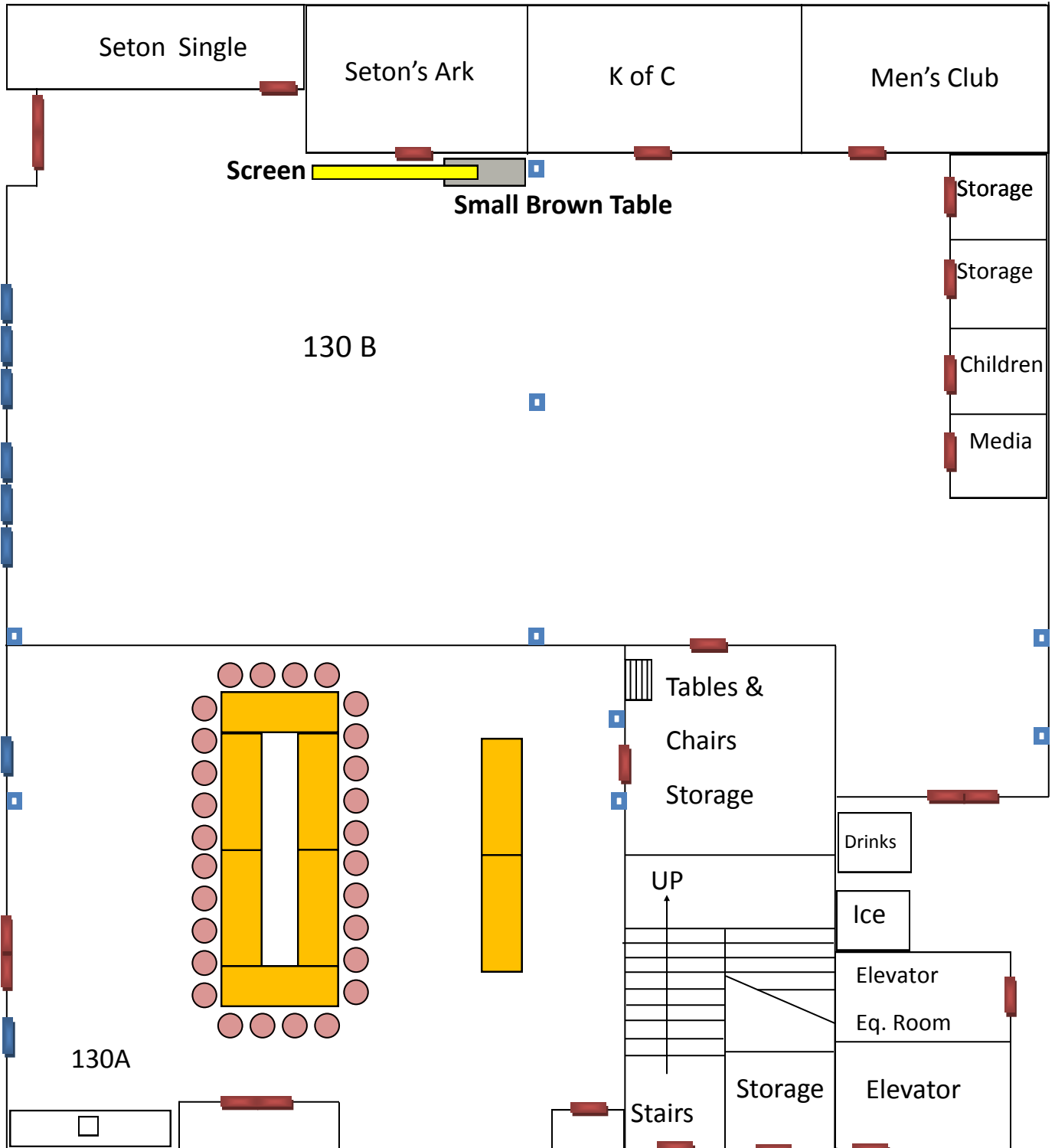


# 3100—Room 130A and B

## Event = RCIA Team Meeting



Contact Person: Bruce Baumann x4289

Set Up 430  
2/13/14