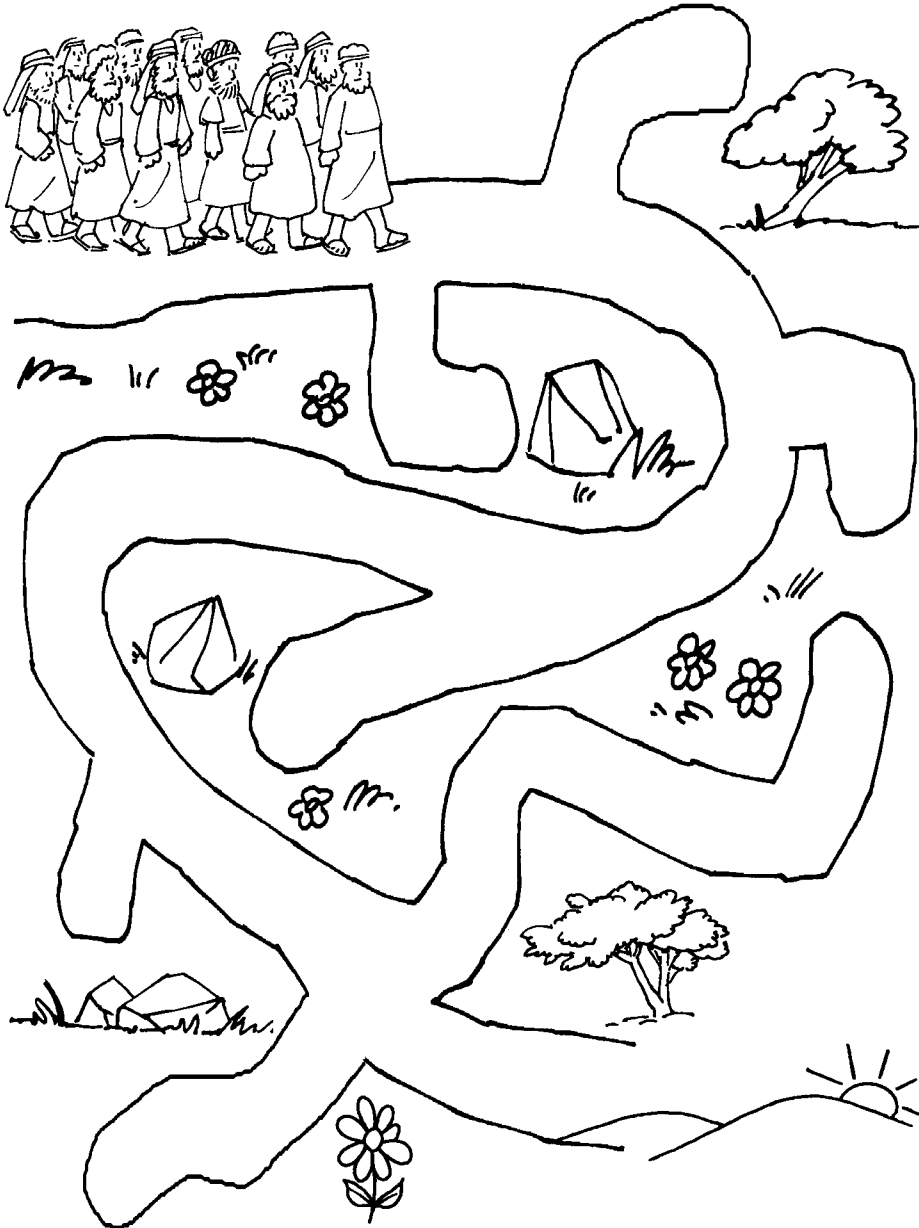


God said, "I will bring the people back to the land of Israel."

Help the people get to Israel.



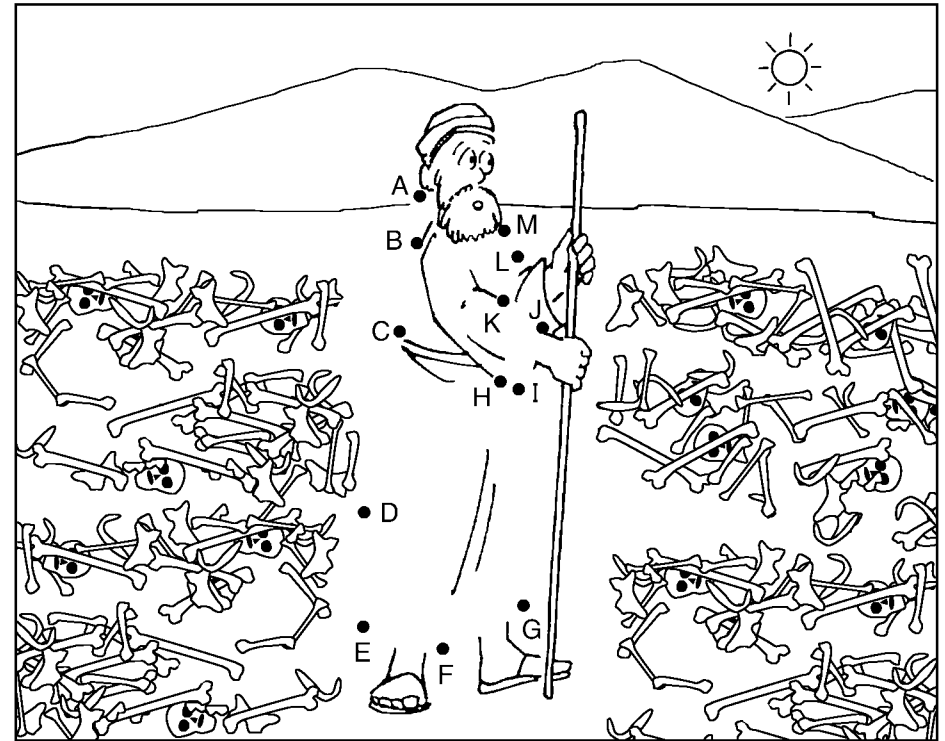
Ages 3+

March 29, 2020 • Ezekiel 37:1-14

The Vision of the Bones

God sent Ezekiel a vision. In it, Ezekiel was in a valley. The valley was full of dry bones.

Connect the dots.
A B C D E F G H I J K L M



Holy Family Catholic Church
12010 Woodmore Road
Mitchellville, MD 20721

Enter your **SECRET CODE** to unlock games @
games.childrensbulletins.com

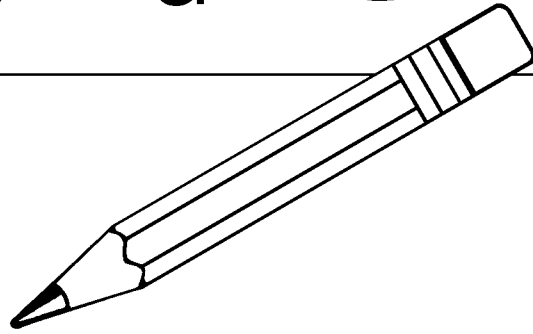
SECRET CODE
FSDC39

Israel was like dry bones.
The people said, "Our hope is gone."

Use the code to fill in the missing letters.

e =  i = 

o =  u = 



"O _ r h _ p _



_ s g _ n _ ."



God told Ezekiel to speak to the bones.
"They will live again," God said.

Match the shapes below.

