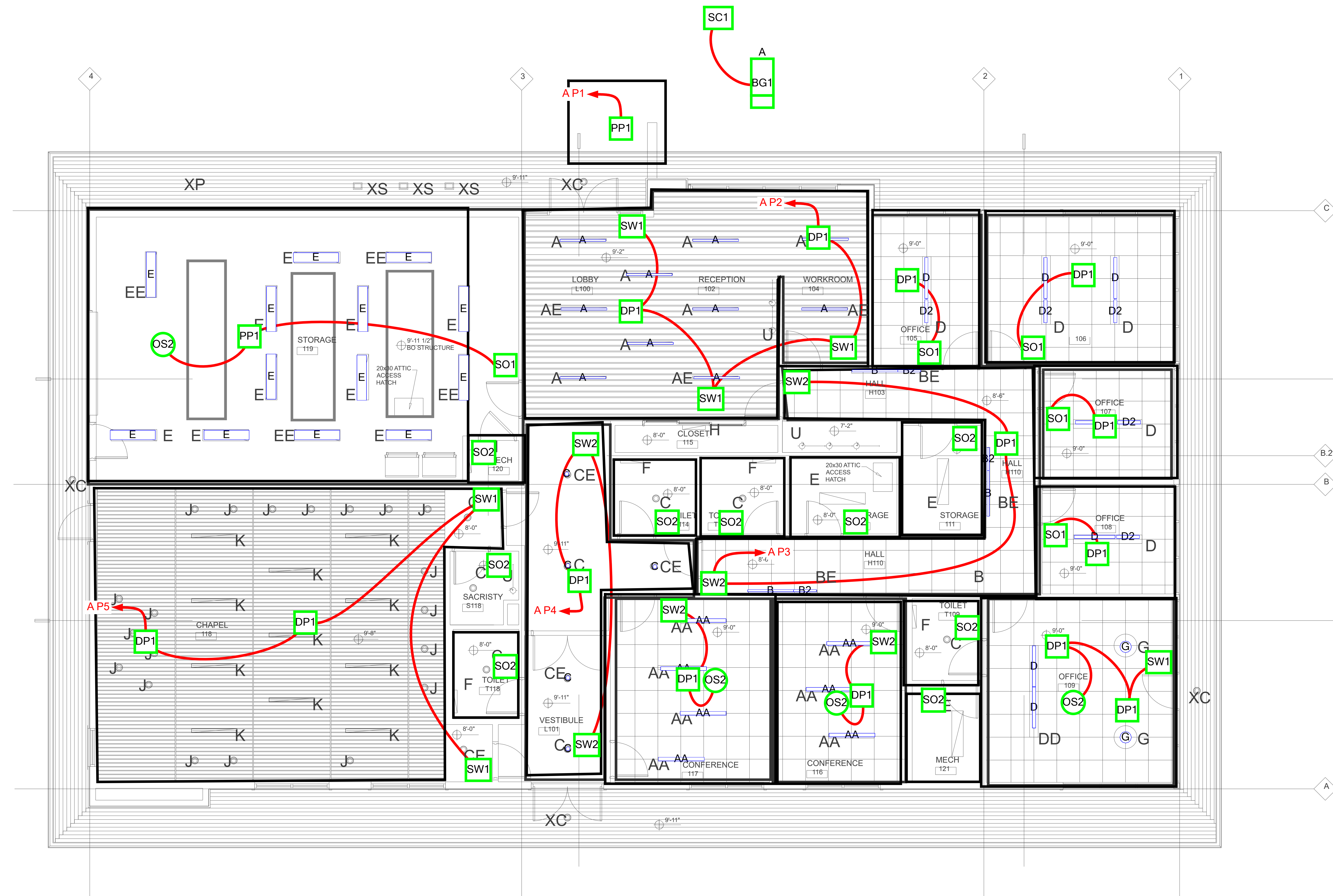


Design 1  
Project: ST. ELIZABETH ANN SETON PARRISH OFFICES

10	A	FINELITE HP-2-D-4ft-B-8-3000K HP2 RECESSED INTO WOOD CEILING
7	AA	FINELITE HP-4-D-4ft-B-8-3000K
3	B	FINELITE HP-2-WM D-6ft-B-8-3000K HP2 Wall Mounts
3	B2	FINELITE HP-2-WM D-4ft-B-8-3000K HP2 Wall Mounts
1	BG1	NBRG 8 KIT Bridge, Kit
5	C	LDN4 30/20 L04AR LD 4IN LDN, 3000K, 2000LM, 80 CRI, CLEAR, MATTE DIFFUSE REFLECTOR
7	D	FINELITE S16-LED-ID-DCO-4ft-2E-B-8-35 -OPEN
5	D2	FINELITE S16-LED-ID-DCO-4ft-2E-B-8-3000K-OPEN
14	DP1	NPP16 D Power/Relay Pack, Occupancy Controlled Dimming
13	E	LBL4 48L EZ1 LP835 STORAGE
2	G	4810D 24" LED.31 30K DV AC 60" WHWH 4X10-24-WH-LED ACRYLIC DIFFUSER
4	OS2	NCM PDT 9 Low Voltage Ceiling Mount Sensor, Passive Dual Technology, Small Motion / Standard Range 360° Lens
2	PP1	NPP16 Power/Relay Pack
1	SC1	NECY nLight Eclipse
5	SO1	NWSX PDT LV NL XX Wall Switch Sensor, Passive Dual Technology, Low Voltage, Night Light
9	SO2	WSX PDT XX Wall Switch Sensor, Passive Dual Technology
6	SW1	NPODM 2P DX XX Low Voltage Push-Button Wallpod, 2-Pole, Occupancy controlled dimming without dimming output
6	SW2	NPODM DX XX Low Voltage Push-Button Wallpod, Occupancy controlled dimming without dimming output

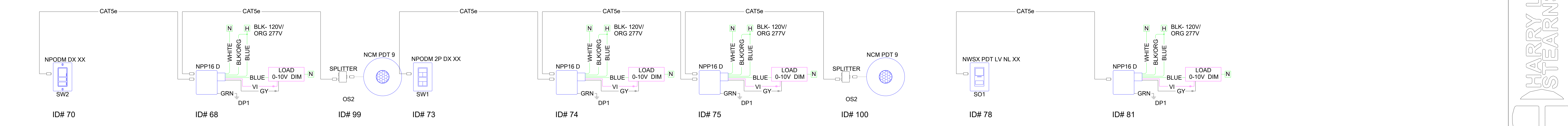
WIRE LEGEND - Design 1

	CAT5e
	CAT5e
	Pre-terminated CAT5e cable

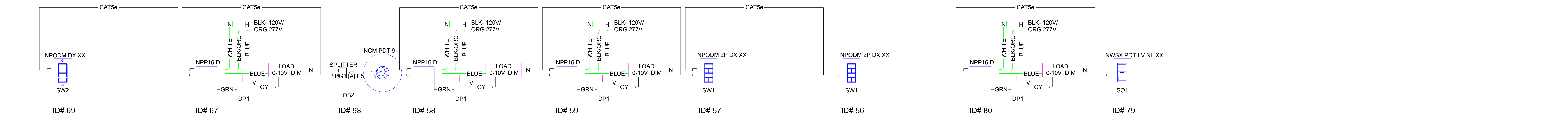


Design 1  
1/4" = 1'

ST. ELIZABETH ANN SETON PARRISH OFFICES



1 Design 1 - Visual Room: NOT TO SCALE      7 Design 1 - Visual Room: NOT TO SCALE      13 Design 1 - Visual Room: NOT TO SCALE



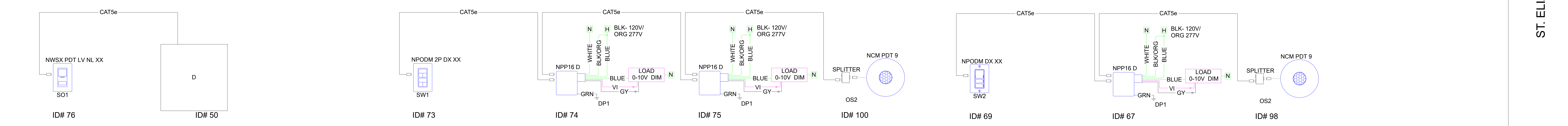
2 Design 1 - Visual Room: NOT TO SCALE      8 Design 1 - Room 137: NOT TO SCALE      14 Design 1 - Visual Room: NOT TO SCALE



3 Design 1 - Visual Room: NOT TO SCALE      9 Design 1 - Visual Room: NOT TO SCALE      15 Design 1 - Visual Room: NOT TO SCALE



4 Design 1 - Visual Room: NOT TO SCALE      10 Design 1 - Visual Room: NOT TO SCALE      16 Design 1 - Visual Room: NOT TO SCALE

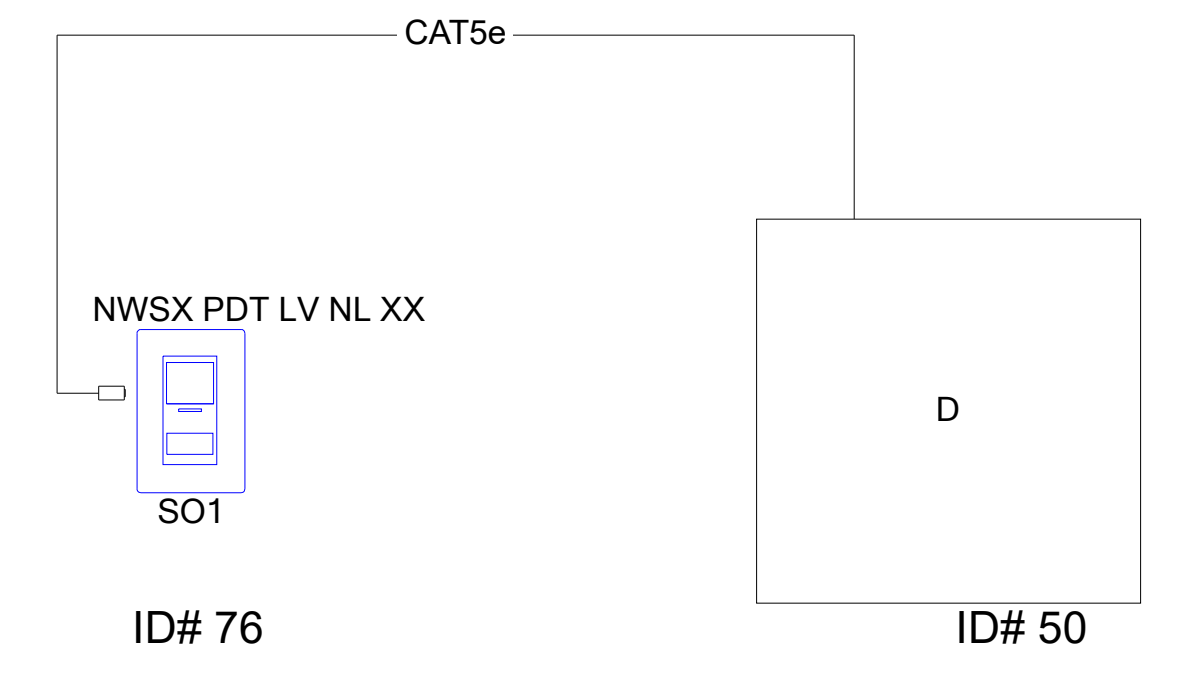
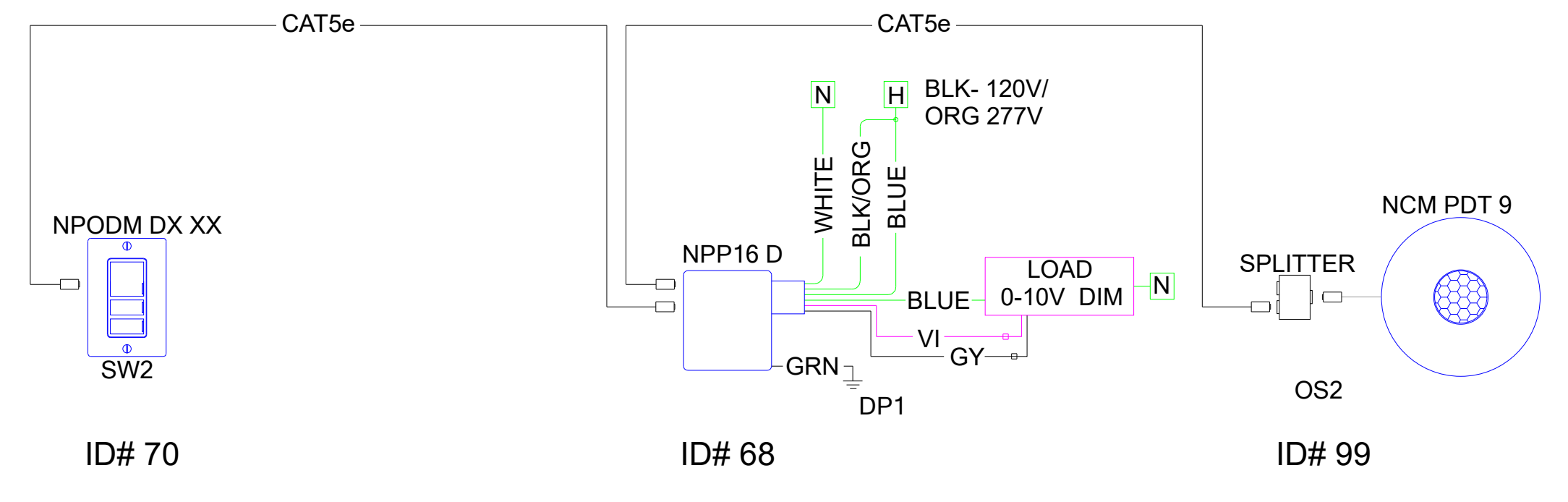


5 Design 1 - Visual Room: NOT TO SCALE      11 Design 1 - Visual Room: NOT TO SCALE      17 Design 1 - Visual Room: NOT TO SCALE



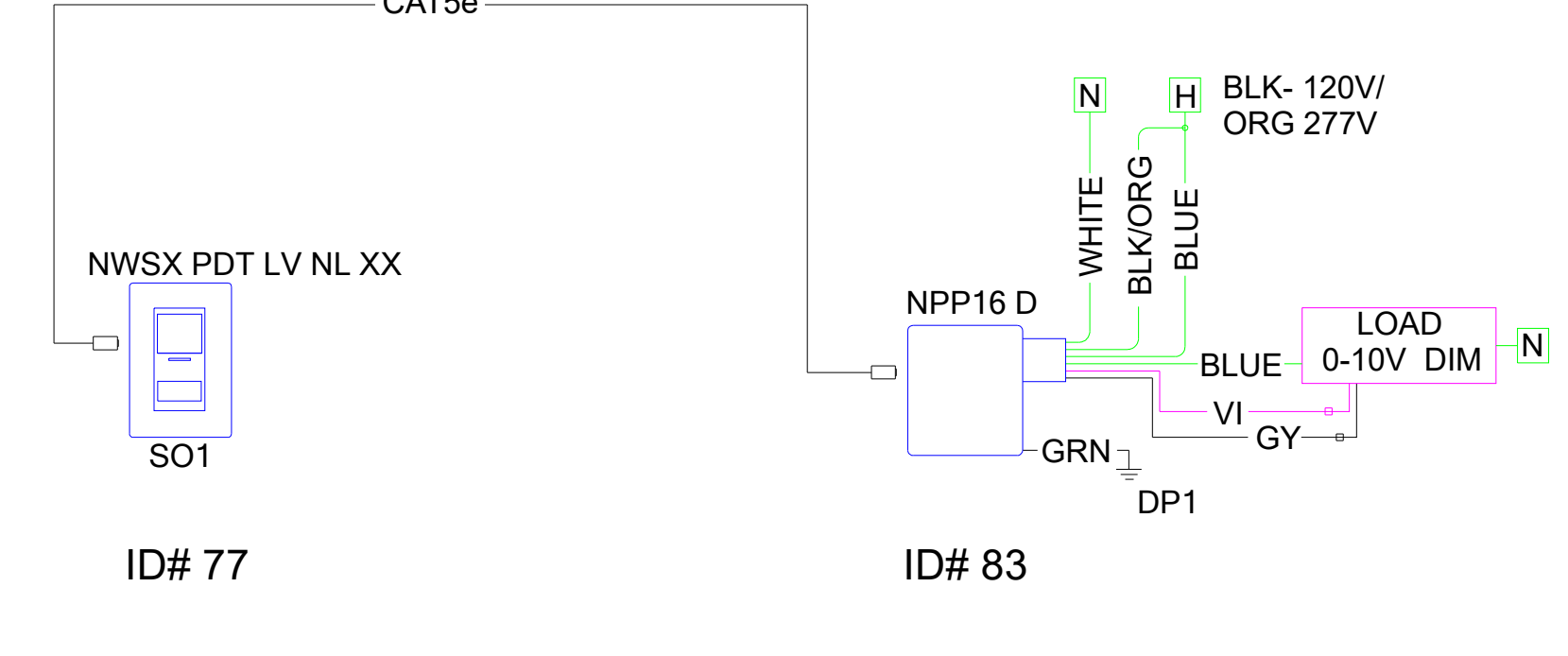
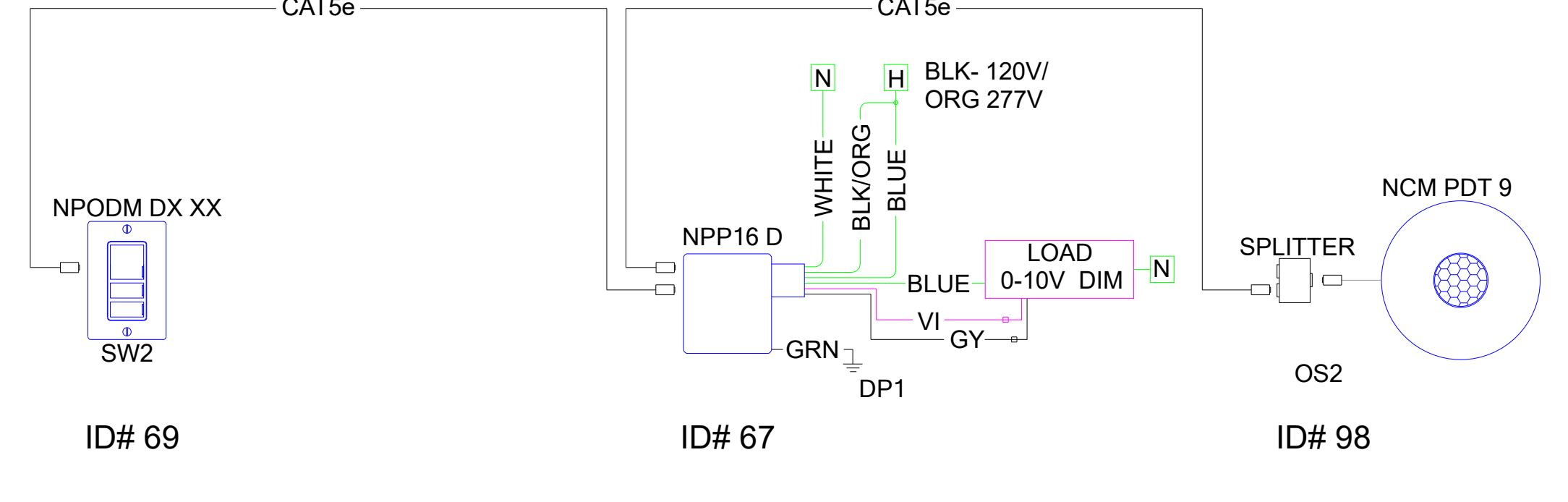
6 Design 1 - Office 108: NOT TO SCALE      12 Design 1 - Visual Room: NOT TO SCALE      18 Design 1 - Visual Room: NOT TO SCALE





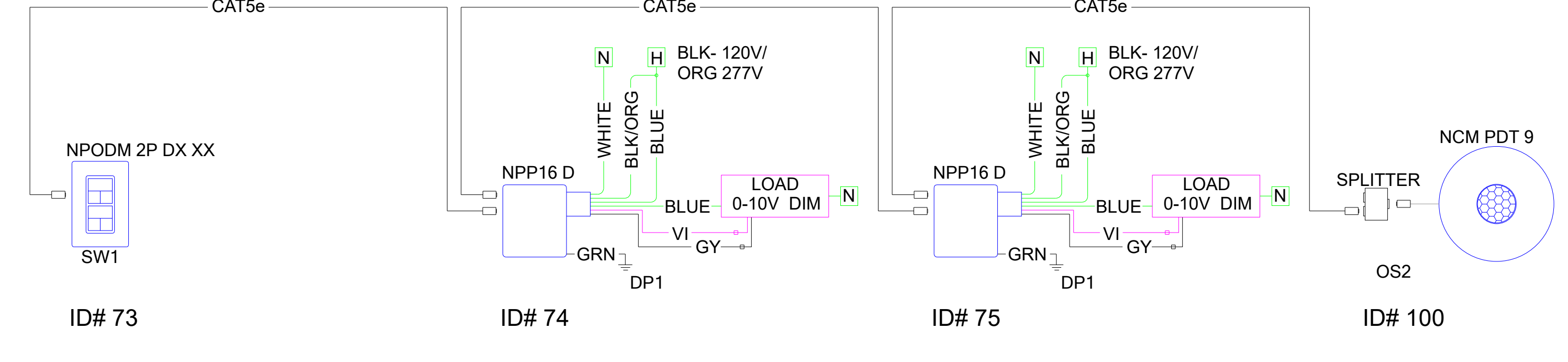
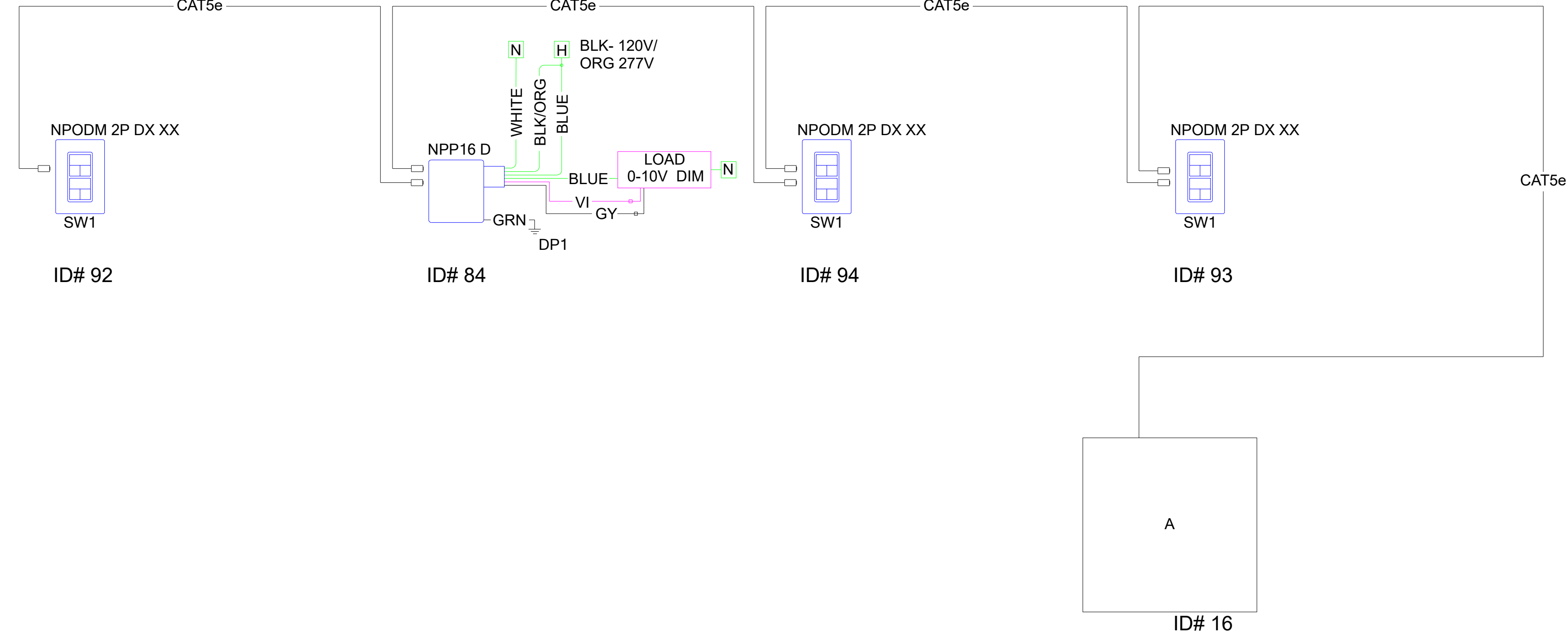
19 Design 1 - Visual Room:  
NOT TO SCALE

24 Design 1 - Visual Room:  
NOT TO SCALE



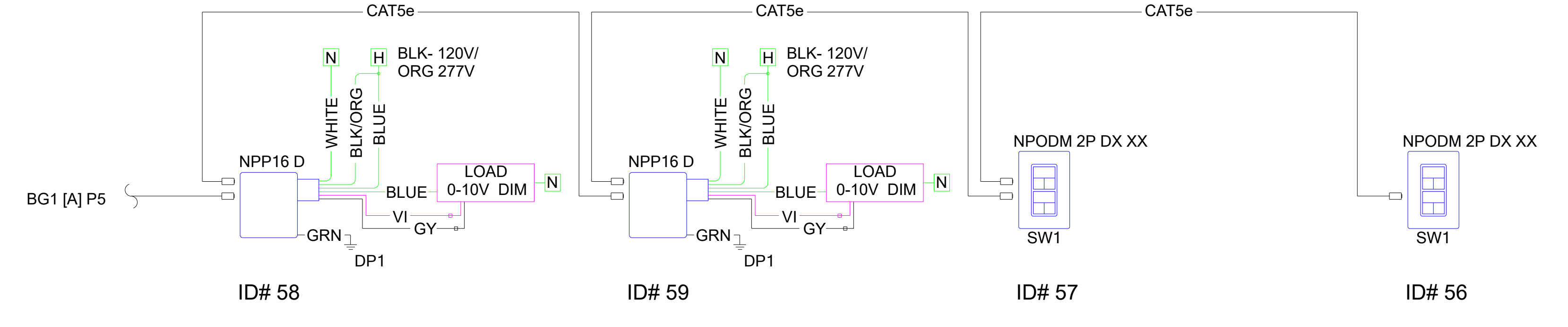
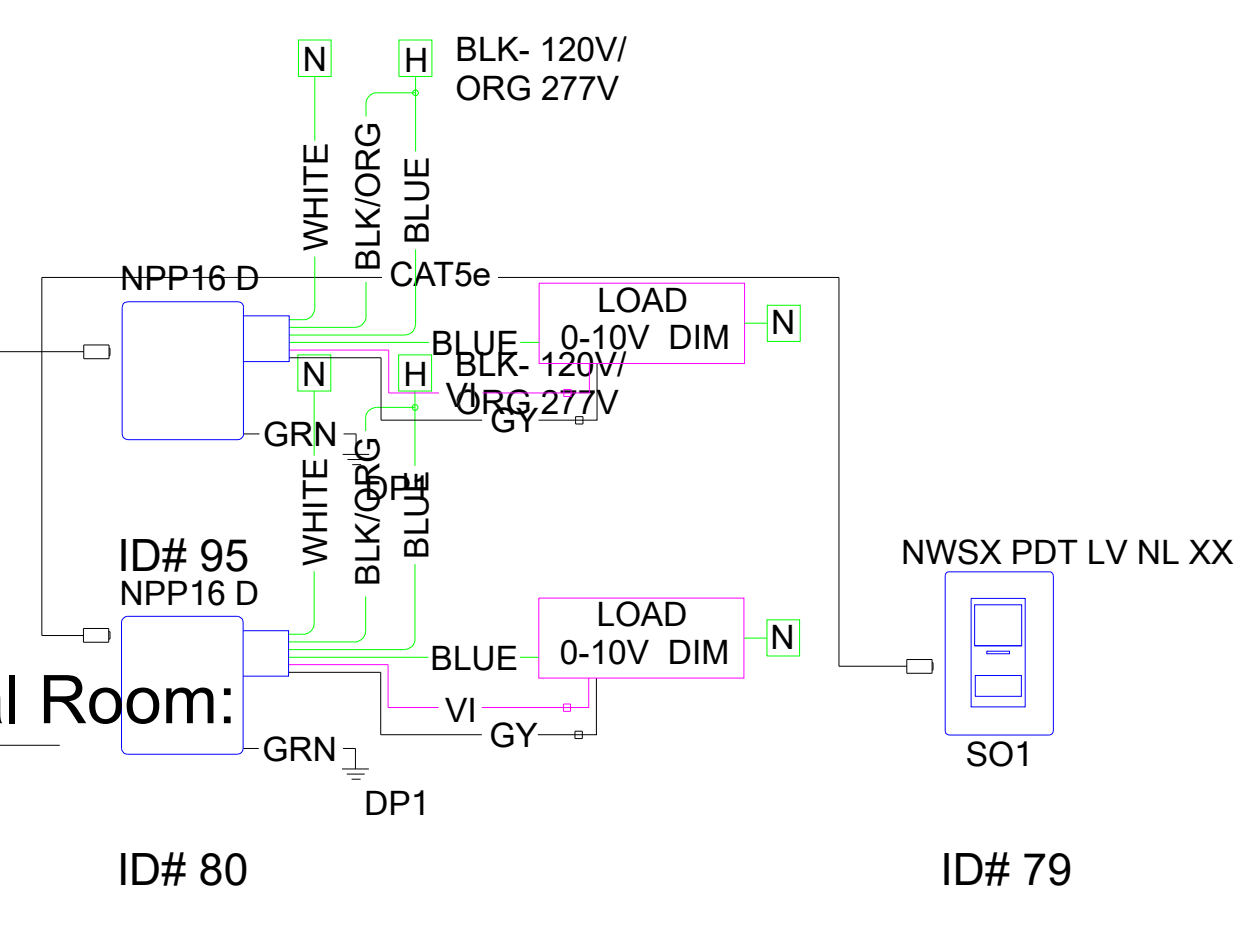
20 Design 1 - Visual Room:  
NOT TO SCALE

25 Design 1 - Office 108  
NOT TO SCALE



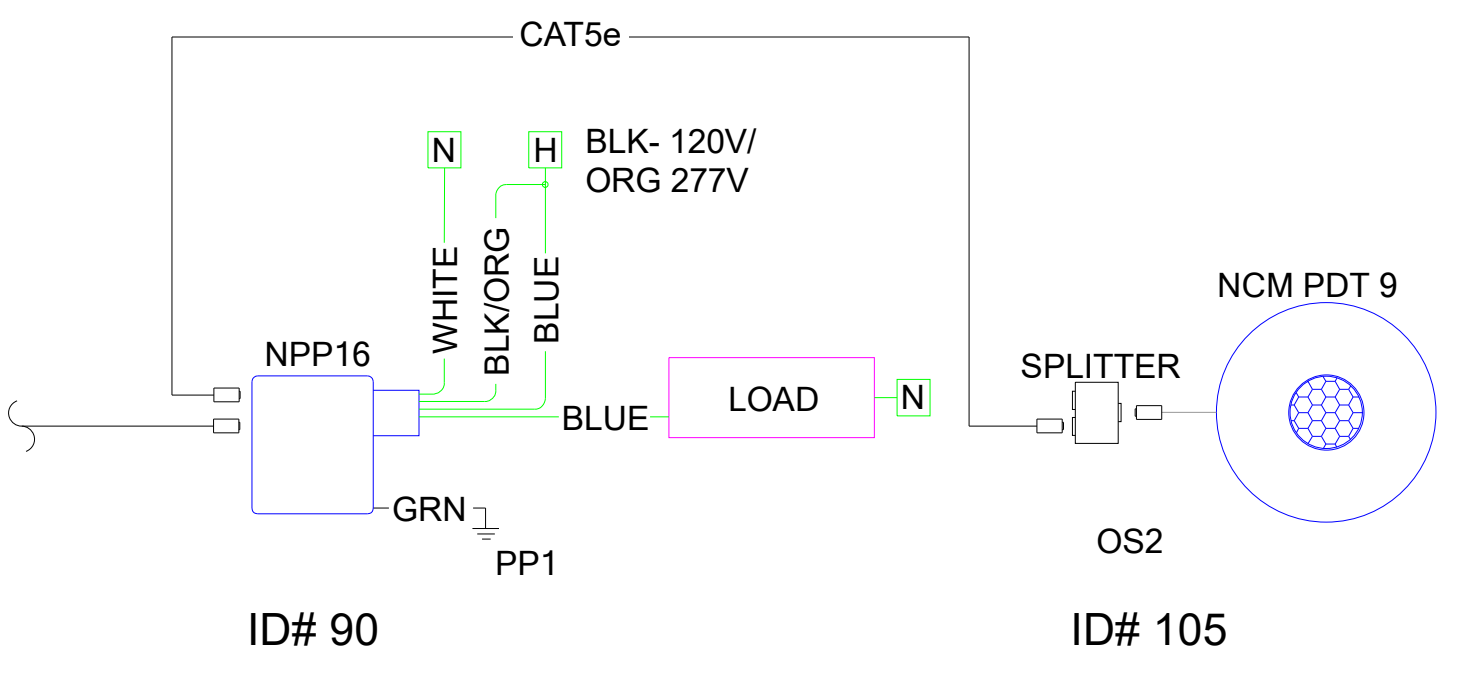
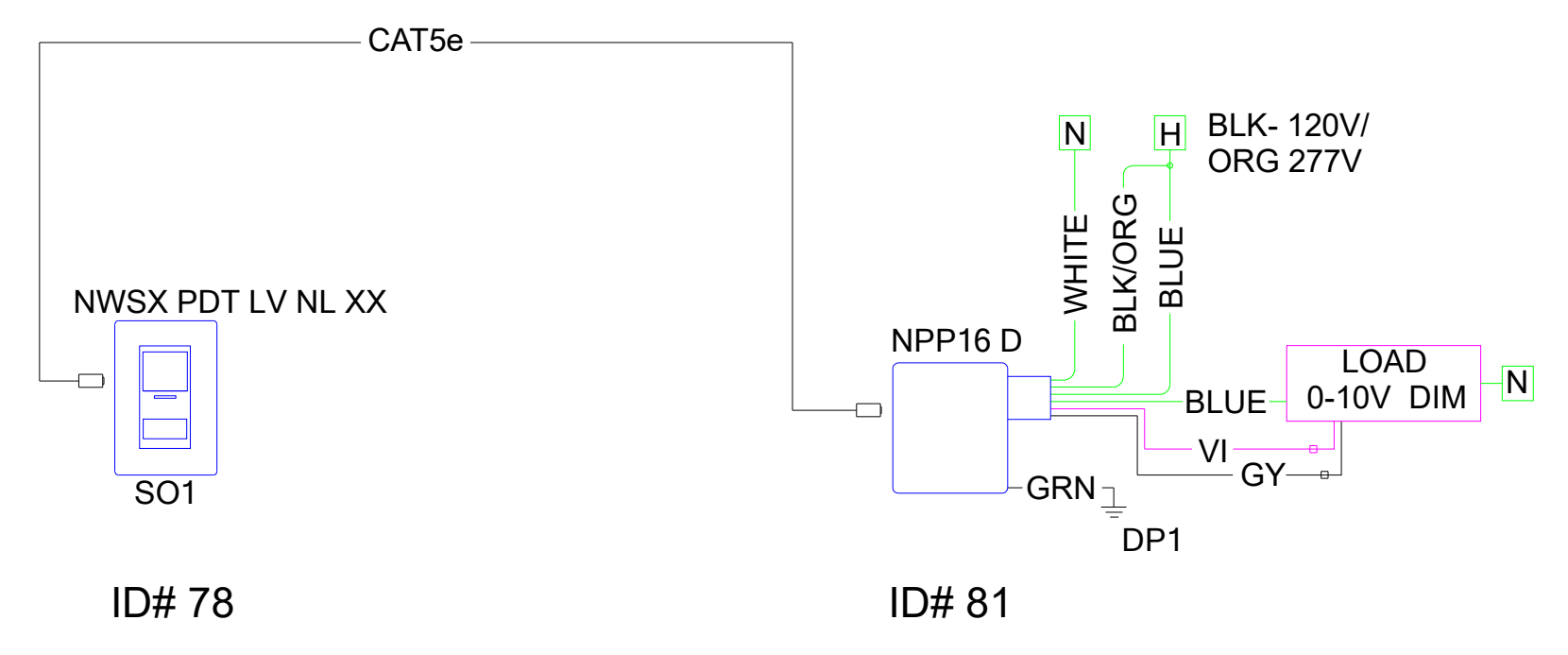
21 Design 1 - Visual Room:  
NOT TO SCALE

26 Design 1 - Visual Room:  
NOT TO SCALE



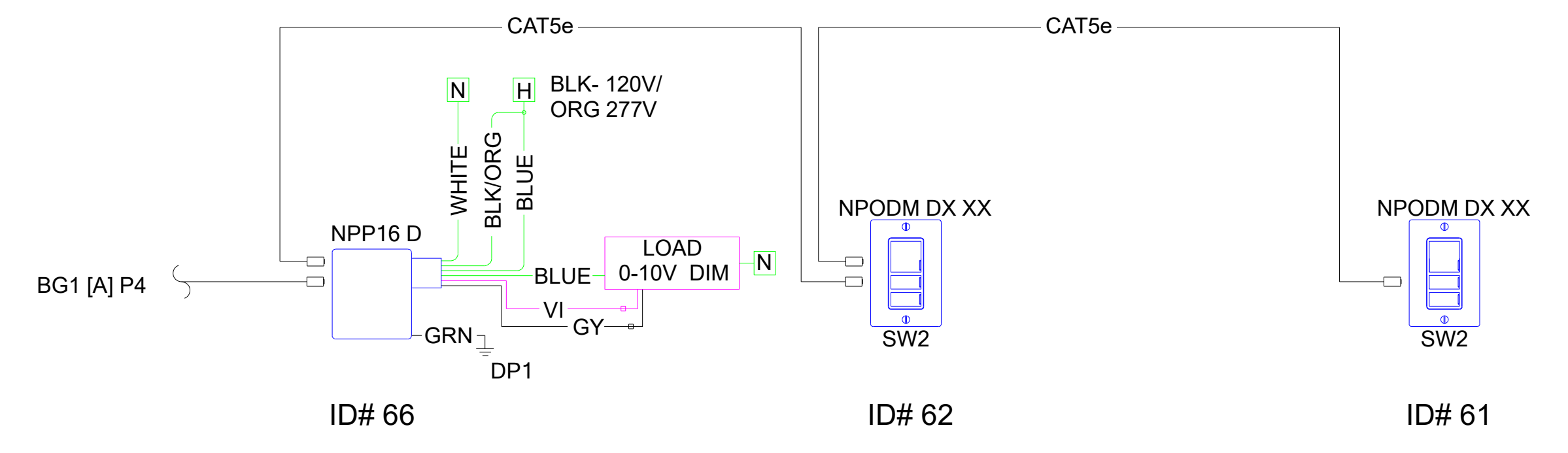
22 Design 1 - Visual Room:  
NOT TO SCALE

27 Design 1 - Room 137  
NOT TO SCALE



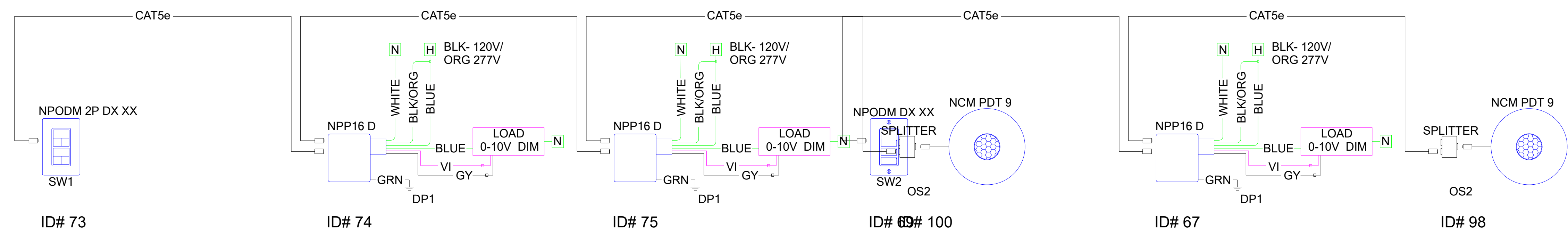
23 Design 1 - Visual Room:  
NOT TO SCALE

28 Design 1 - Visual Room:  
NOT TO SCALE



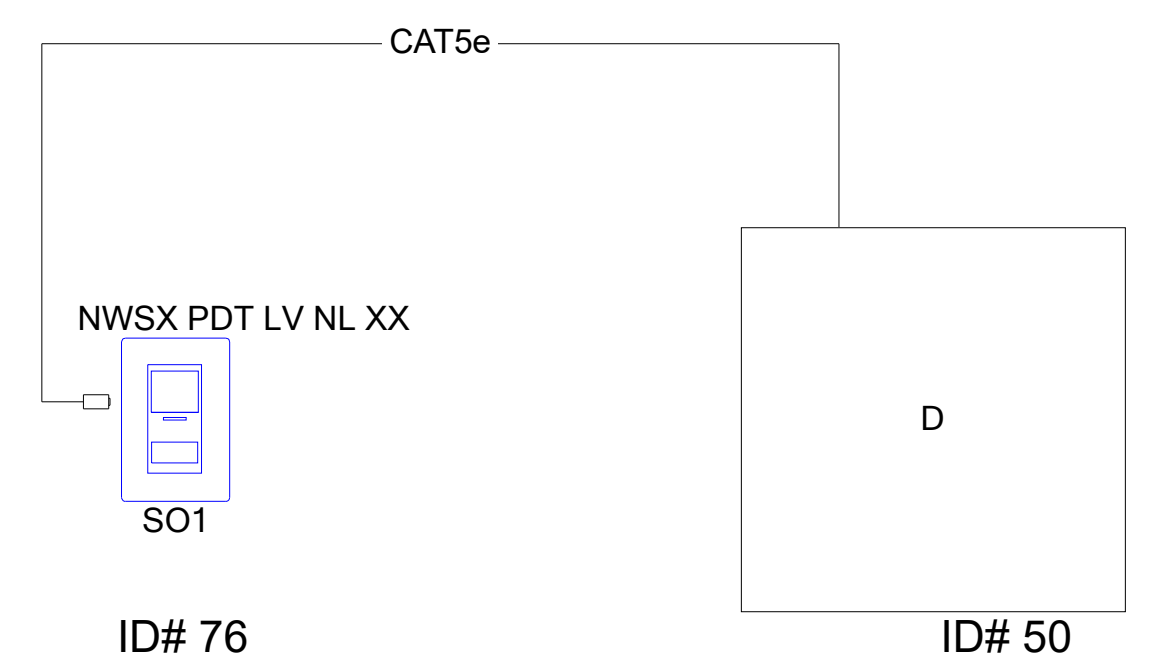
29 Design 1 - Visual Room:  
NOT TO SCALE

29 Design 1 - Visual Room:  
NOT TO SCALE

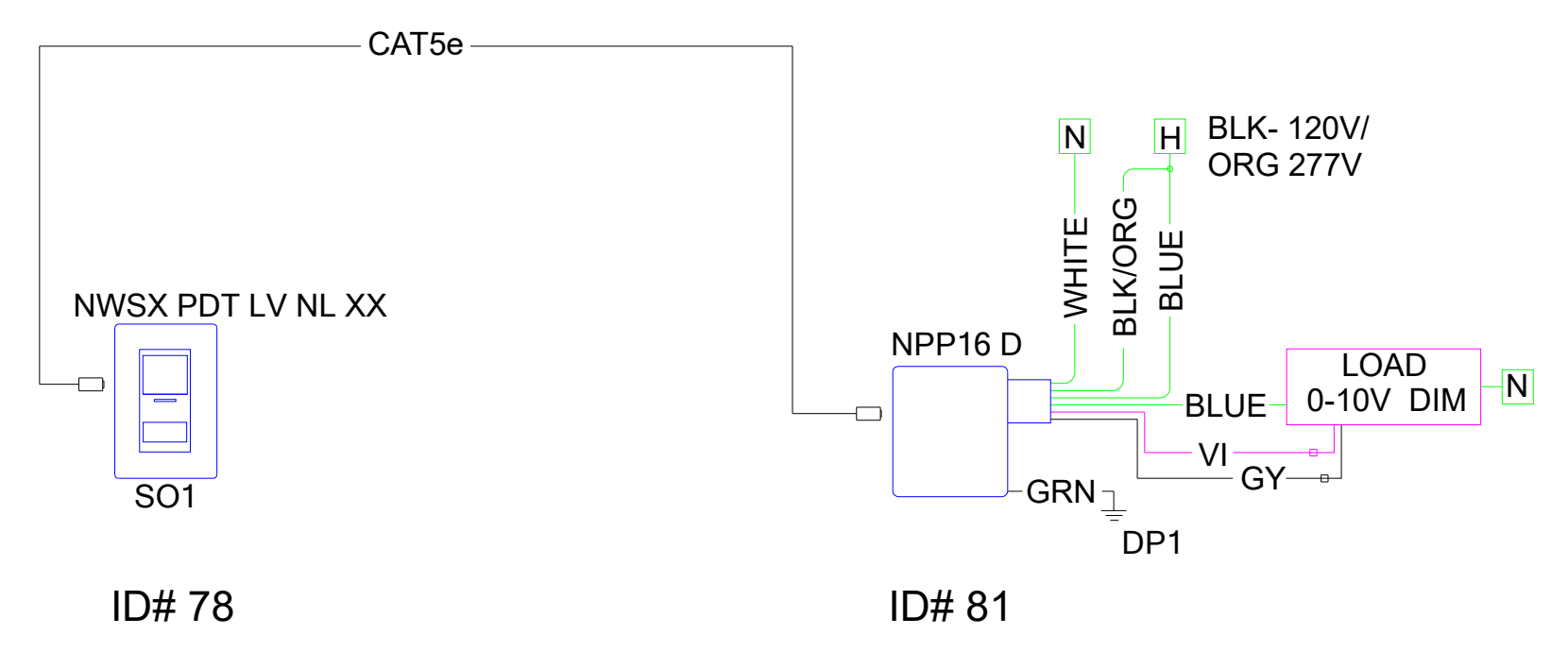
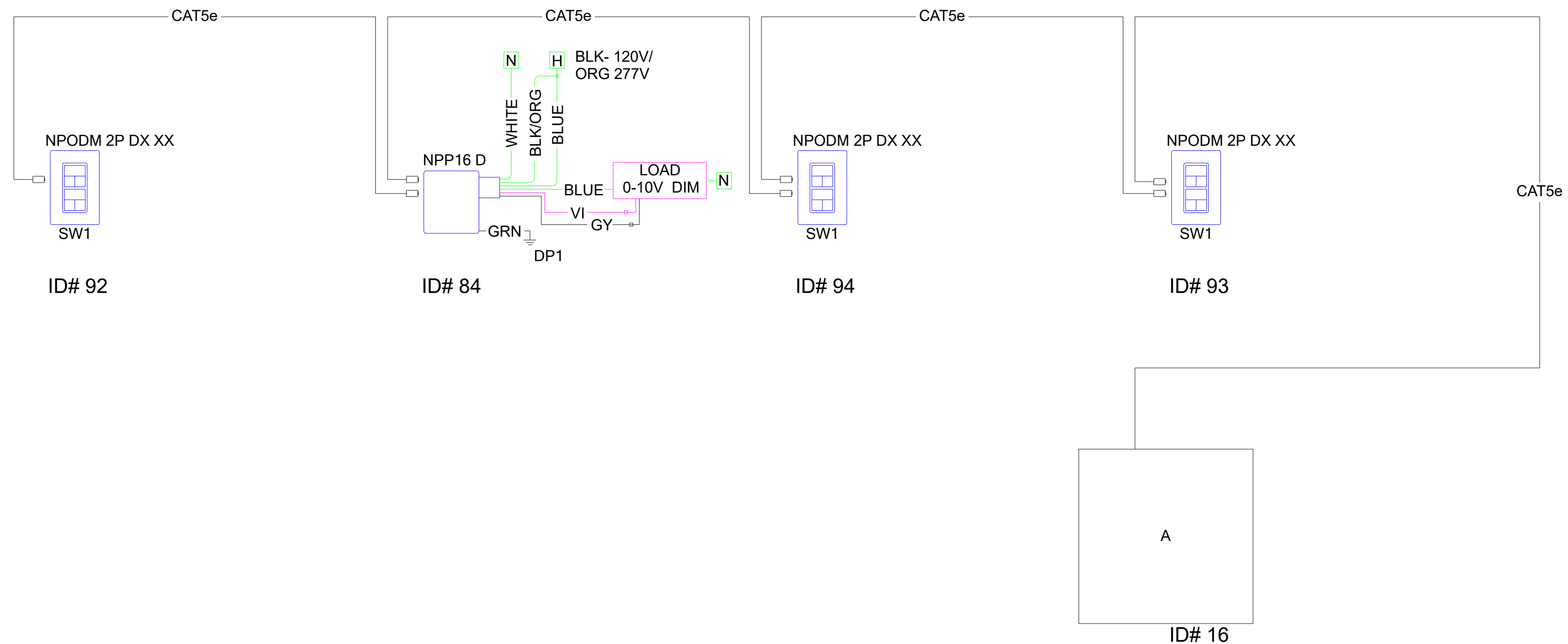


30 Design 1 - Visual Room:  
NOT TO SCALE

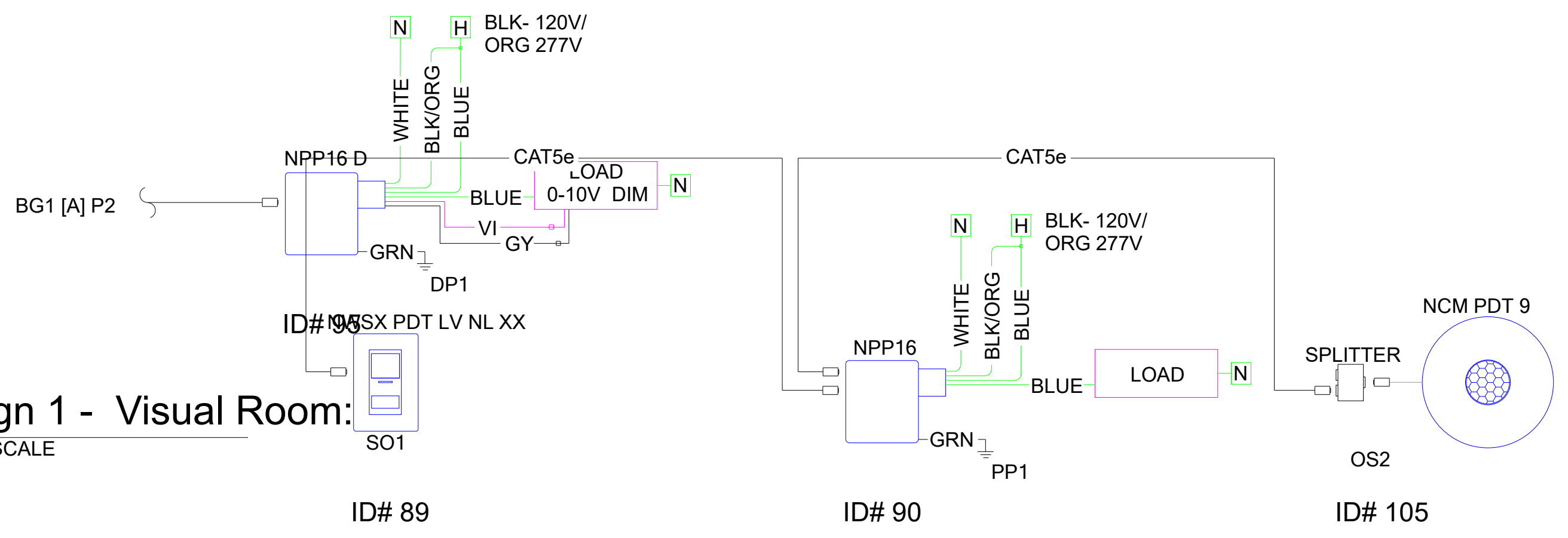
36 Design 1 - Visual Room:  
NOT TO SCALE



31 Design 1 - Visual Room:  
NOT TO SCALE

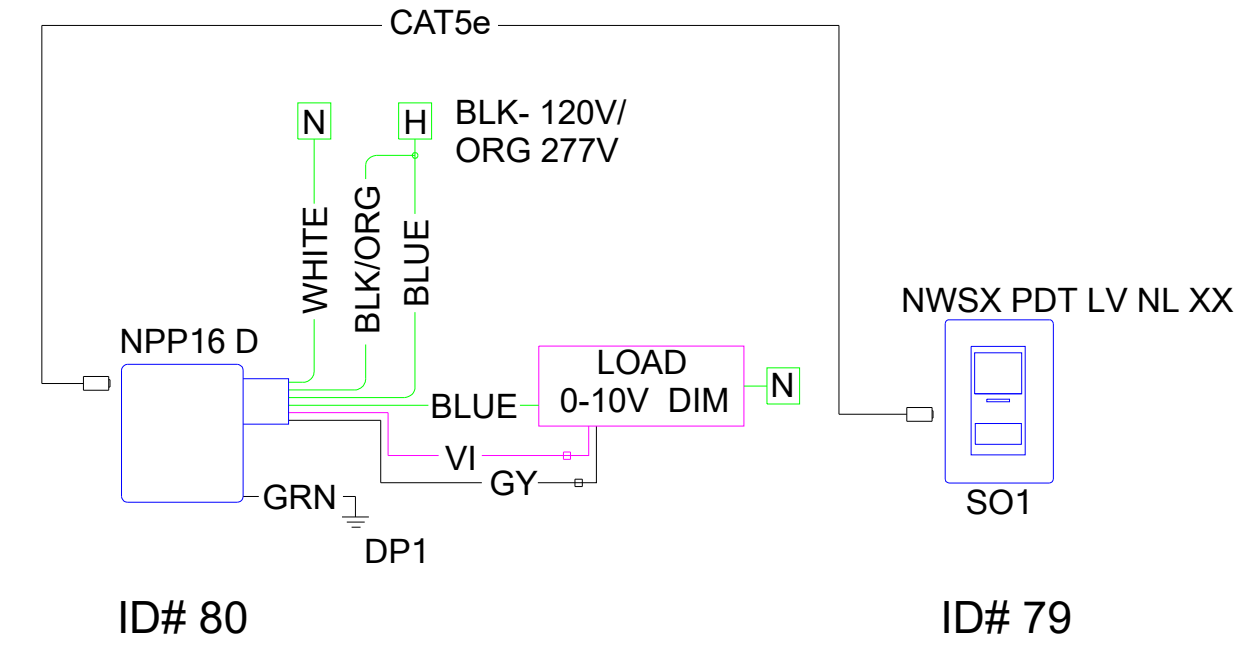


32 Design 1 - Visual Room:  
NOT TO SCALE

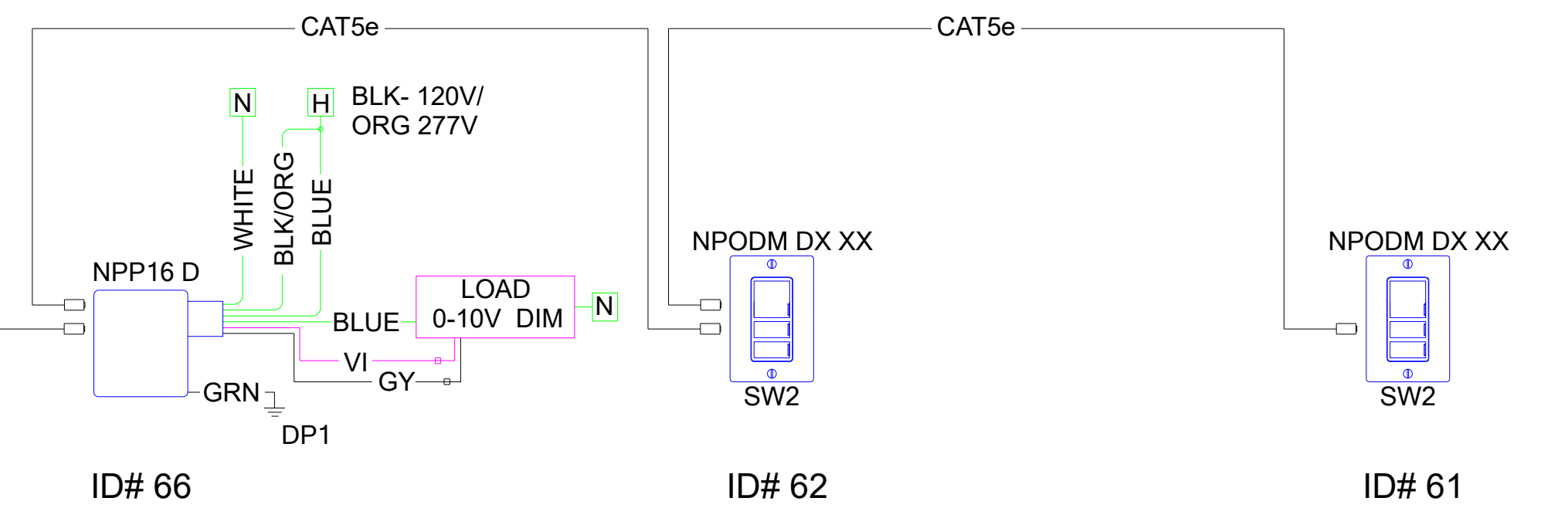


37 Design 1 - Visual Room:  
NOT TO SCALE

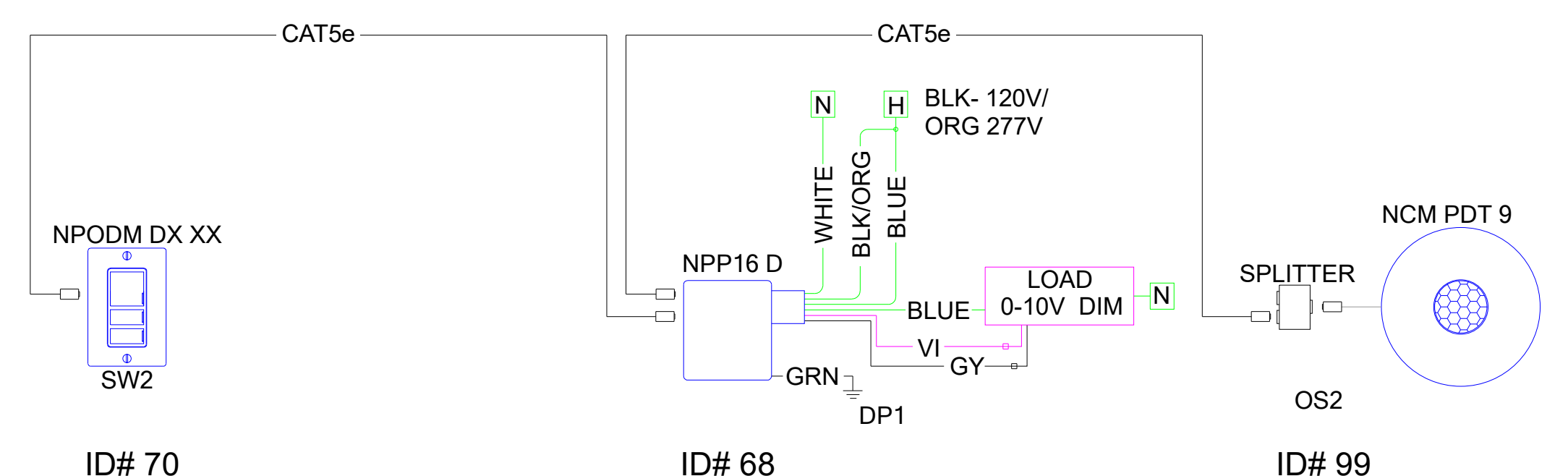
38 Design 1 - Visual Room:  
NOT TO SCALE



33 Design 1 - Visual Room:  
NOT TO SCALE



34 Design 1 - Visual Room:  
NOT TO SCALE



35 Design 1 - Visual Room:  
NOT TO SCALE