

**Nueces County Junior Livestock Show AWS  
17TH Annual Mike Mylnar Memorial High  
School Welding Contest Registration**

Student's Name: \_\_\_\_\_

School: \_\_\_\_\_

Instructor: \_\_\_\_\_

Grade Level: \_\_\_\_\_

AS the instructor, of the above student, I recommend this student for competition in the High School Welding Competition. The Student is in good standing with his/her school.

\_\_\_\_\_  
Instructor's Signature

\_\_\_\_\_  
Date

I agree to assume all liability, while competing, in the High School Welding Contest and hold harmless anyone person or company connected with the High School Welding Contest and/or the AWS, Nueces County Junior Livestock Show

\_\_\_\_\_  
Contestant's Signature

\_\_\_\_\_  
Date

\_\_\_\_\_  
Parent/Guardian's Signature

\_\_\_\_\_  
Date

Please return by January 6, 2020.

Email, Mail or Fax completed entries:

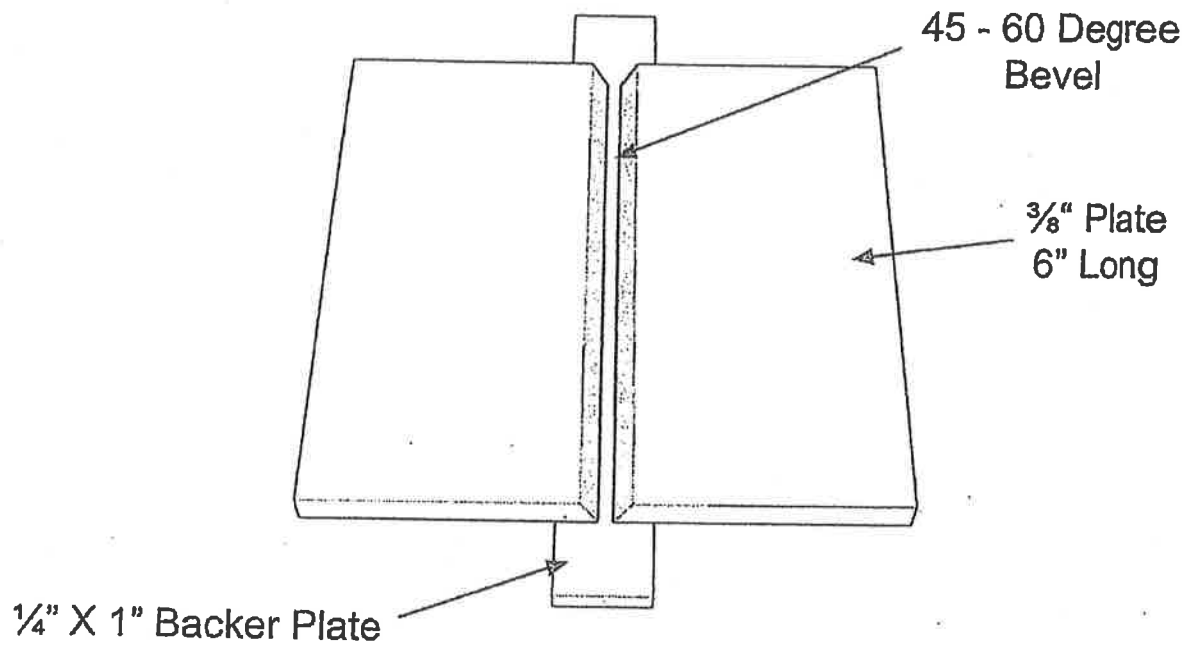
To: [ellery.francisco@gasandsupply.com](mailto:ellery.francisco@gasandsupply.com)

**GAS AND SUPPLY**

5125 IH 37 @ Navigation

Corpus Christi, Tx. 78408

Fax 361-888-9089



ROOT PASS = 6010  
HOT PASS = 6010  
FILLER & CAP = 7018

